



# Commercial CCRT-53

## Internal Terminations

### DC-26.5GHz SPDT Switch

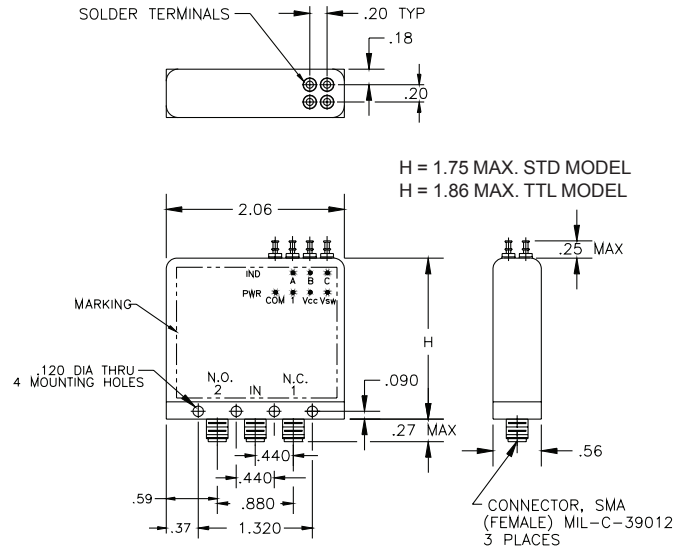
#### Latching

The CCRT-53 Switch is an internally terminated, broadband, SPDT, electromechanical coaxial switch designed to switch a microwave signal from a common input to either of two outputs. The characteristic impedance is 50 Ohms. Internal terminations provide an impedance match for the unselected port. The switches are small with the minimum spacing that is compatible with SMA connectors.

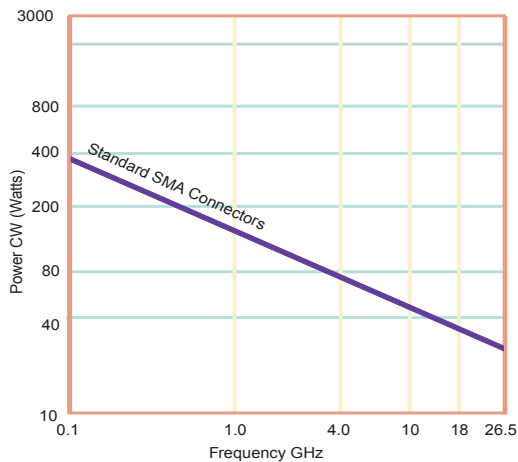
The CCRT-53 is available with either a failsafe or latching actuator.

### Specifications

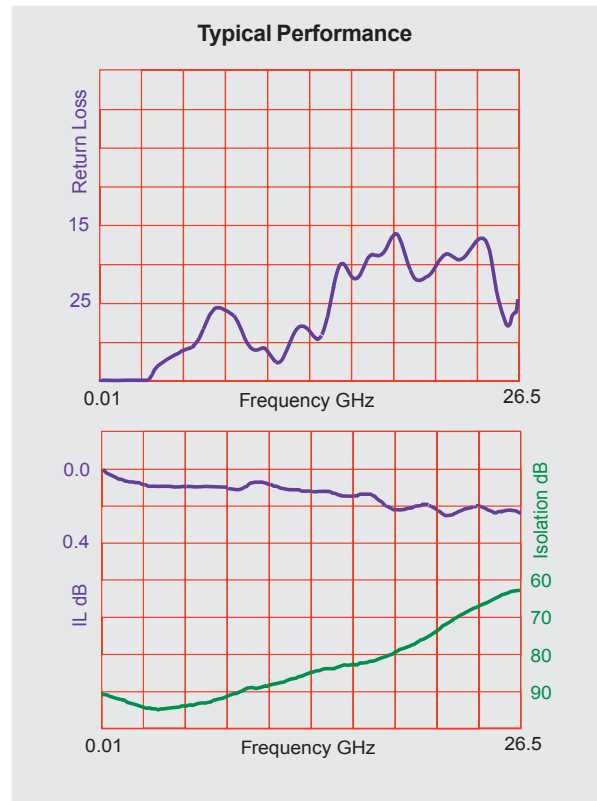
<b>RF Contacts:</b>	Break before make			
<b>Actuator</b>	Voltage (VDC) 20°C	12	15	28
	Current (mA)	420	350	200
<b>Switching Time:</b>	10 msec max			
<b>Terminations:</b>	50 Ohm 2 Watts CW max			
<b>Connectors:</b>	SMA (f)			
<b>Weight:</b>	2.65 oz. max			
<b>Temperature Range:</b>	-40°C to +65°C (Operating)			
<b>Shock:</b>	MIL-STD-202 Method 213, Condition D (500G Non Operating)			
<b>Vibration:</b>	MIL-STD-202 Method 214, Condition D (10G RMS Non Operating)			
<b>Humidity:</b>	Moisture Seal Available			
<b>MTBF:</b>	7.3 Million Hours (MIL-HDBK-217F Fixed, 25°C, <1 Cycle per hour)			



### RF Power Handling (Non-terminated)



Specifications	DC-6 GHz	6-12 GHz	12-18 GHz	18-26.5GHz
VSWR (max)	1.25:1	1.40:1	1.50:1	1.80:1
Insertion Loss (min)	0.20 dB	0.40 dB	0.50 dB	0.7 dB
Isolation (max)	70.0 dB	60.0 dB	60.0 dB	50.0 dB



Specifications subject to change without notice.

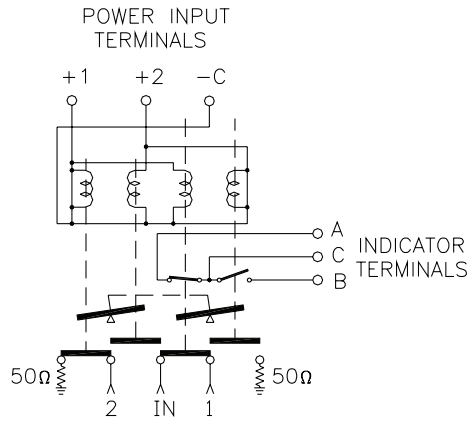
www.teledynecoax.com  
email: coax@teledyne.com

Tel: (800) 351-7368

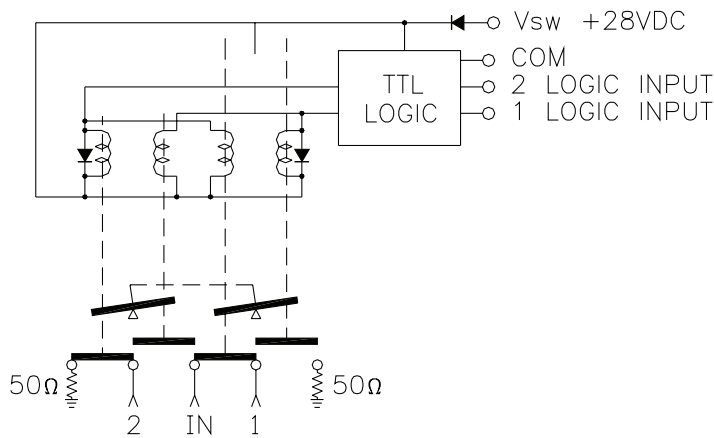
10/2007

# Commercial CCRT-53

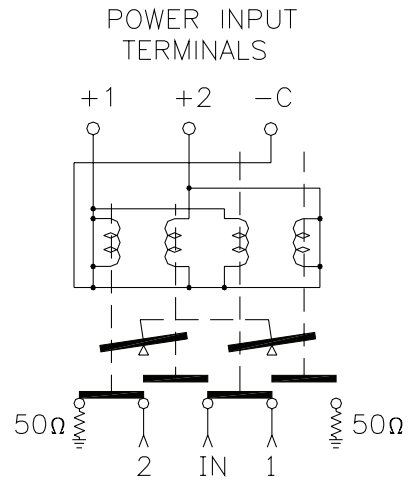
## Internal Terminations DC-26.5GHz SPDT Switch Latching



**Indicators**

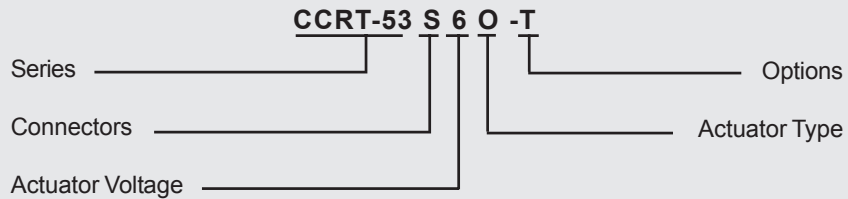


**TTL**



**Analog**

### Part Numbering System for CCRT-53 (Latching)



**Connector**  
S: SMA Female

**Actuator Voltage**  
6: 28Vdc Latching  
7: 15Vdc Latching  
8: 12Vdc Latching

**Actuator Type**  
O: No Indicator Contacts  
C: Indicator Contacts  
D: Self Cutoff Only  
E: Indicators and Self Cutoff

**Options**  
T: TTL Drivers with Diodes  
R: Positive + Common

For other options contact Factory



Specifications subject to change without notice.

www.teledynecoax.com  
email: coax@teledyne.com

Tel: (800) 351-7368

10/2007