



Commercial CCR-39 Multi-Throw DC-18GHz Latching

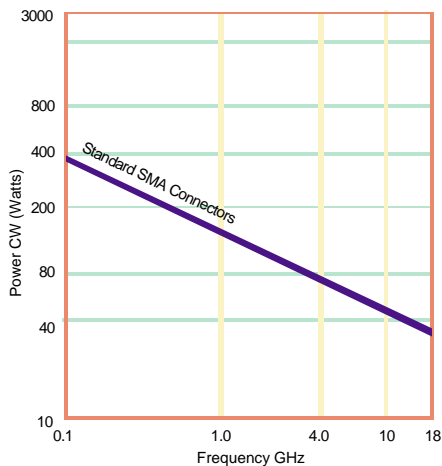
The CCR-39 Switch is a broadband, multi-throw, electromechanical coaxial switch designed to switch a microwave signal from a common input to any of 3, 4, 5, or 6 outputs. The characteristic impedance is 50 Ohms. The switches are small using the popular connector spacing on a 1.062" dia. circle. Each position has an individual actuator mechanism allowing random position selection. This also minimizes switching time.

Specifications

RF Contacts:	Break before make					
Actuator	Voltage (VDC) 20°C	12	15	28		
	Latching Current (mA)	255	205	90		
Switching Time:	Reset Current (mA)	Positions	3	765	615	270
			4	1020	820	360
			5	1275	1025	450
			6	1530	1230	540

Switching Time: 20 msec max
Connectors: SMA (f)
Weight: 6 oz. max
Temperature Range: -25°C to +65°C (Operating)

RF Power Handling

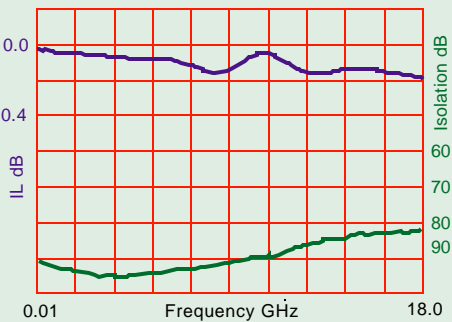
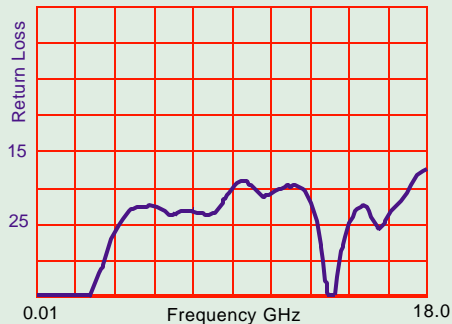


Specifications	DC-6 GHz	6-12 GHz	12-18 GHz
VSWR (max)	1.25:1	1.40:1	1.50:1
Insertion Loss (min)	0.20 dB	0.40 dB	0.50 dB
Isolation (max)	70.0 dB	60.0 dB	60.0 dB

The CCR-39 comes with a latching actuator. The latching switch remains in the last position selected when the switch is de-energized. STD dual command requires a reset pulse before a new selected position. A separate reset circuit allows all positions to be set to an open position. User must provide both reset (clear) and set (select new position) commands.

Shock: MIL-STD-202 Method 213, Condition D (500G Non Operating)
Vibration: MIL-STD-202 Method 214, Condition D (10G RMS Non Operating)
Humidity: Moisture Seal Available
Warranty: 2 years or 5 million cycles, 1 million cycles with indicators
MTBF: 6.5 Million Hours (MIL-HDBK-217F Fixed, 25°C, <1 Cycle per hour)

Typical Performance



Specifications subject to change without notice.

www.teledynereleys.com

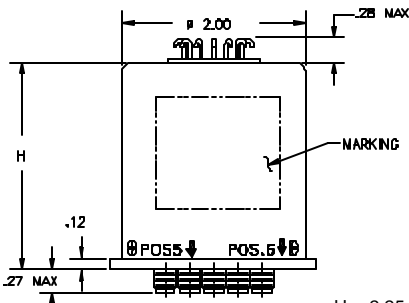
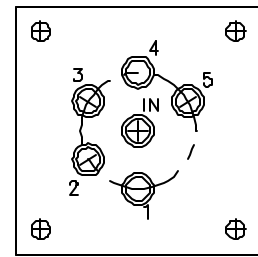
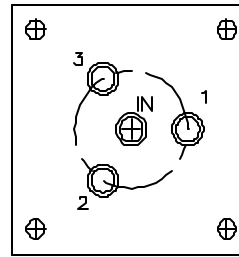
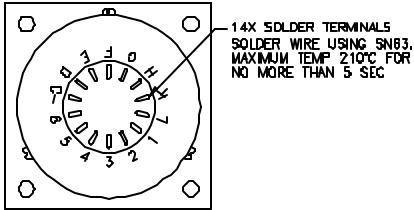
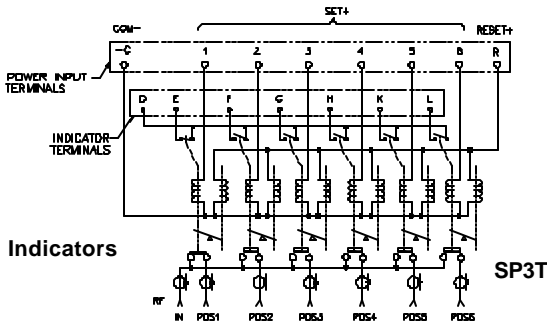
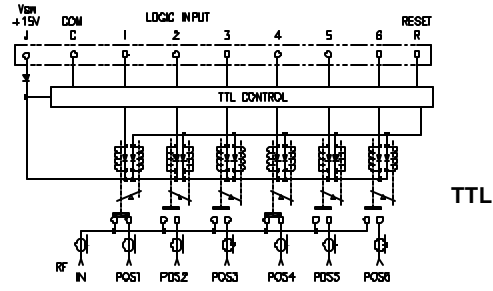
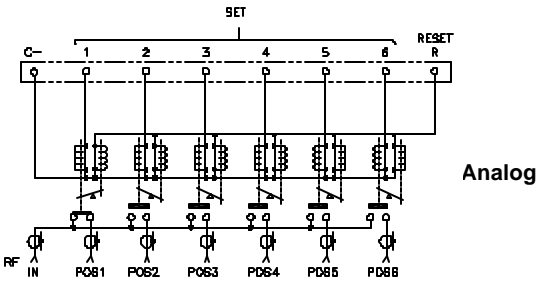
email: teledyne_relays@teledyne.com

12525 Daphne Avenue, Hawthorne, CA 90250 • Tel: (800) 284-7007 • Fax: (323) 779- 9161

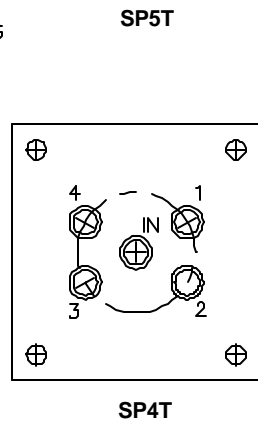
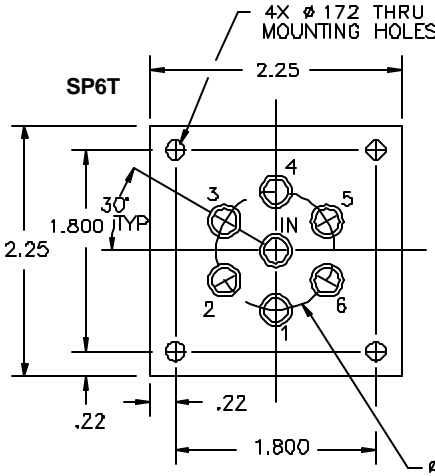
Commercial CCR-39

Multi-Throw DC-18GHz

Latching

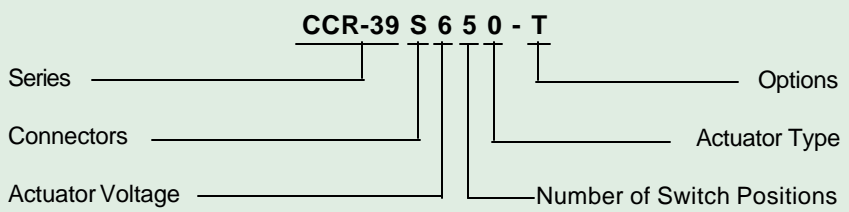


H = 2.25 STD Model
H = 2.50 TTL Model



SP4T

Part Numbering System for CCR-39 (Latching)



Connector	Actuator Voltage	Number of Positions	Actuator Type	Options
S: SMA Female	6: 28Vdc Latching 7: 15Vdc Latching 8: 12Vdc Latching	3: SP3T 4: SP4T 5: SP5T 6: SP6T	0: No Indicator Contacts C: Indicator Contacts D: Self Cutoff Only E: Indicators and Self Cutoff	T: TTL Drivers with Diodes R: Positive + Common TD: TTL Driver with Decoder

For other options contact Factory



Specifications subject to change without notice. www.teledynereleys.com
email: teledyne_relays@teledyne.com