



Commercial CCRT-33

Internal Terminations DC-18GHz SPDT Switch

Failsafe

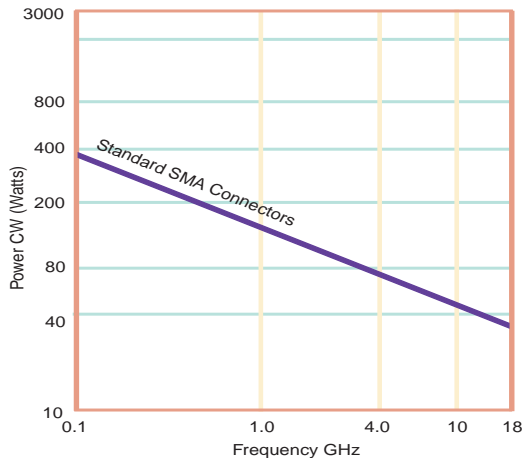
The CCRT-33 Switch is an internally terminated, broadband, SPDT, electromechanical coaxial switch designed to switch a microwave signal from a common input to either of two outputs. The characteristic impedance is 50 Ohms. Internal terminations provide an impedance match for the unselected port. The switches are small with the minimum spacing that is compatible with SMA connectors.

The CCRT-33 is available with either a failsafe or latching actuator.

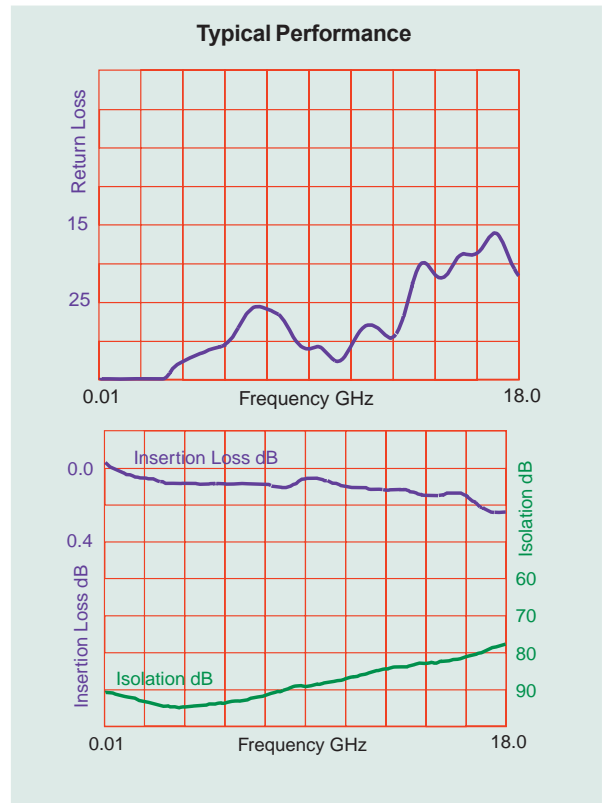
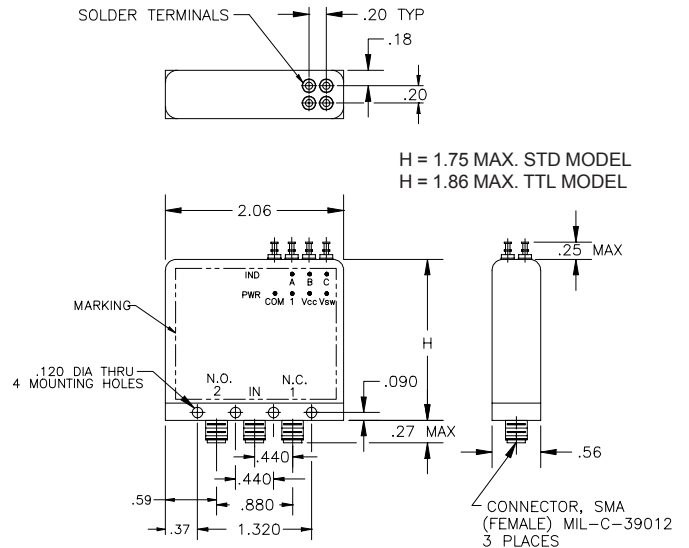
Specifications

RF Contacts:	Break before make			
Actuator	Voltage (VDC) 20°C	12	15	28
	Current (mA)	420	350	200
Switching Time:	20 msec max			
Terminations:	50 Ohm 2 Watts CW max			
Connectors:	SMA (f)			
Weight:	2.65 oz. max			
Temperature Range:	-25°C to +65°C (Operating)			
Shock:	MIL-STD-202 Method 213, Condition D (500G Non Operating)			
Vibration:	MIL-STD-202 Method 214, Condition D (10G RMS Non Operating)			
Seal:	Immersion Seal, Moisture Seal Available			
Warranty:	2 years or 5 million cycles w/o indicators, 1 million cycles w/indicators			
MTBF:	7.3 Million Hours (MIL-HDBK-217F Fixed, 25°C, <1 Cycle per hour)			

RF Power Handling (Carry only condition, Non-terminated)



Specifications	DC-6 GHz	6-12 GHz	12-18 GHz
VSWR (max)	1.25:1	1.40:1	1.50:1
Insertion Loss (min)	0.20 dB	0.40 dB	0.50 dB
Isolation (max)	70.0 dB	60.0 dB	60.0 dB



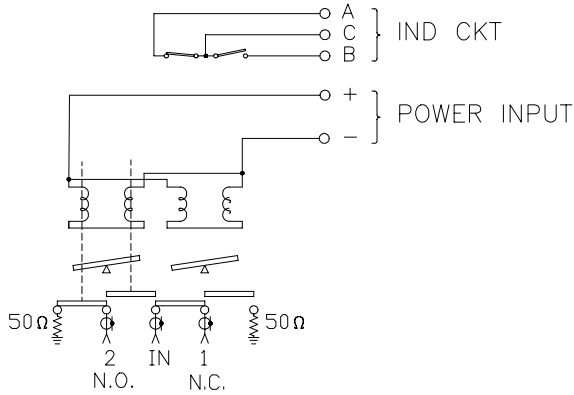
Specifications subject to change without notice.

www.teledynereleys.com

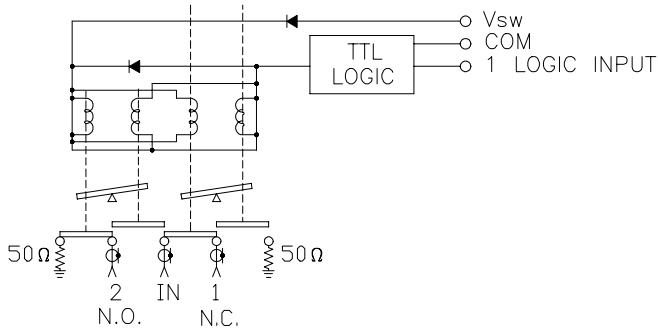
email: teledyne_relays@teledyne.com

Commercial CCRT-33 Internal Terminations DC-18GHz SPDT Switch

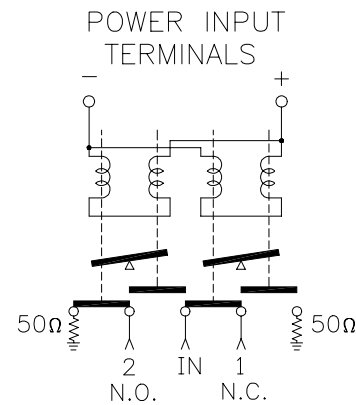
Failsafe



Indicators

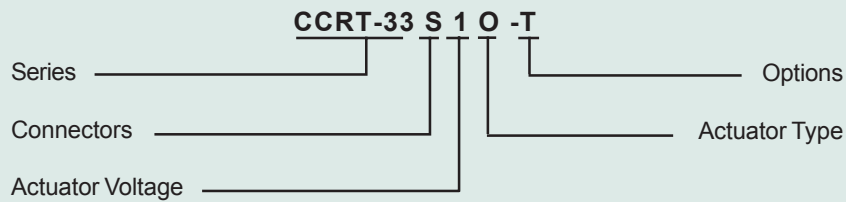


TTL



Analog

Part Numbering System for CCRT-33 (Failsafe)



Connector
S: SMA Female

Actuator Voltage
1: 28Vdc Failsafe
2: 15Vdc Failsafe
3: 12Vdc Failsafe

Actuator Type
O: No Indicator Contacts
C: Indicator Contacts

Options
T: TTL Drivers with Diodes
R: Positive + Common

For other options contact Factory