



Commercial CCRT-33 Internal Terminations DC-18GHz SPDT Switch Latching

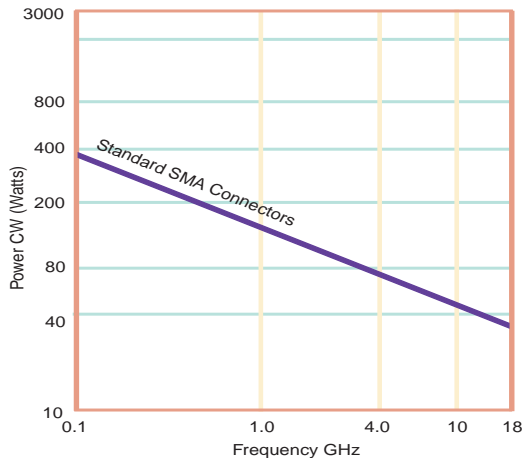
The CCRT-33 Switch is an internally terminated, broadband, SPDT, electromechanical coaxial switch designed to switch a microwave signal from a common input to either of two outputs. The characteristic impedance is 50 Ohms. Internal terminations provide an impedance match for the unselected port. The switches are small with the minimum spacing that is compatible with SMA connectors.

The CCRT-33 is available with either a failsafe or latching actuator.

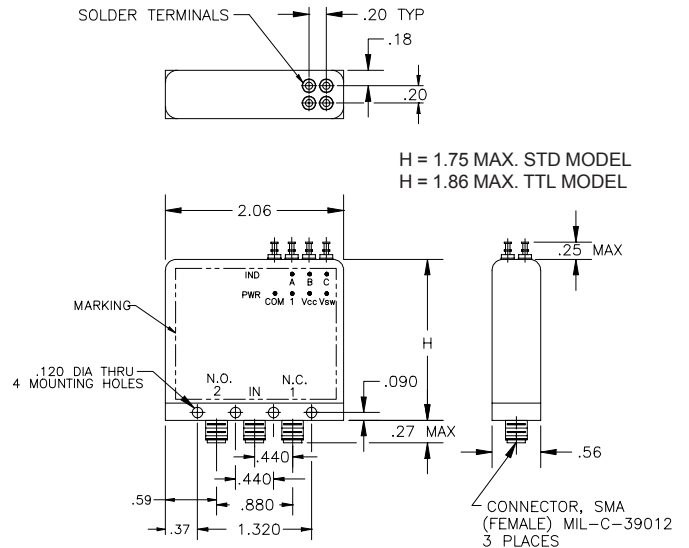
Specifications

RF Contacts:	Break before make			
Actuator	Voltage (VDC) 20°C	12	15	28
	Current (mA)	420	350	200
Switching Time:	10 msec max			
Terminations:	50 Ohm 2 Watts CW max			
Connectors:	SMA (f)			
Weight:	2.65 oz. max			
Temperature Range:	-25°C to +65°C (Operating)			
Shock:	MIL-STD-202 Method 213, Condition D (500G Non Operating)			
Vibration:	MIL-STD-202 Method 214, Condition D (10G RMS Non Operating)			
Seal:	Immersion Seal, Mositure Seal Available			
Warranty:	2 years or 5 million cycles			
MTBF:	7.3 Million Hours (MIL-HDBK-217F Fixed, 25°C, <1 Cycle per hour)			

RF Power Handling (Non-terminated, Carry only condition)



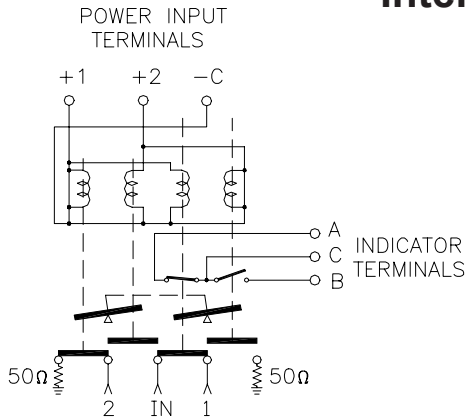
Specifications	DC-6 GHz	6-12 GHz	12-18 GHz
VSWR (max)	1.25:1	1.40:1	1.50:1
Insertion Loss (min)	0.20 dB	0.40 dB	0.50 dB
Isolation (max)	70.0 dB	60.0 dB	60.0 dB



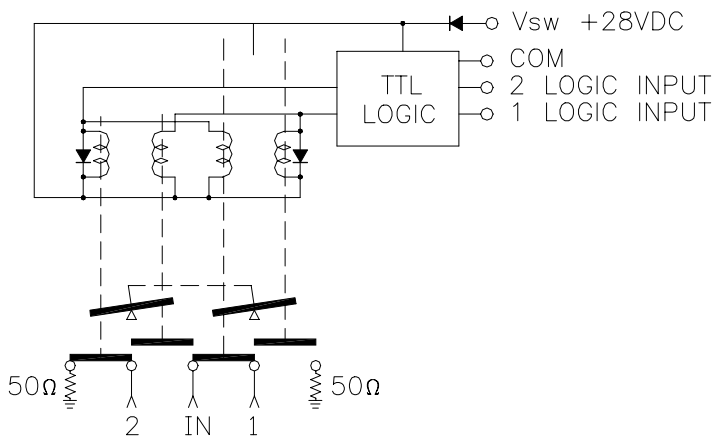
Specifications subject to change without notice.

www.teledynereleys.com
email: teledyne_relays@teledyne.com

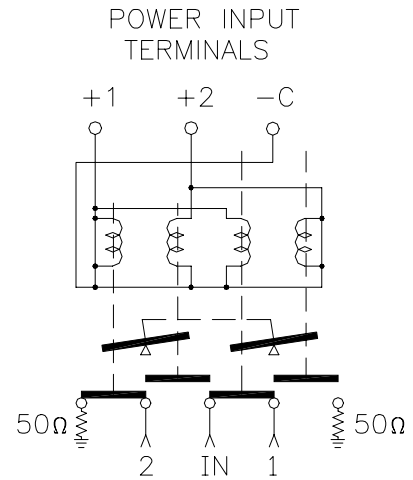
Commercial CCRT-33 Internal Terminations DC-18GHz SPDT Switch Latching



Indicators

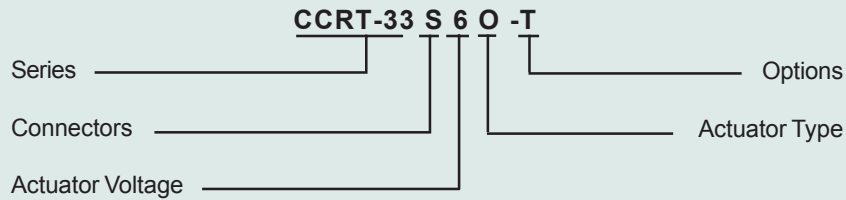


TTL



Analog

Part Numbering System for CCRT-33 (Latching)



Connector
S: SMA Female

Actuator Voltage
6: 28Vdc Latching
7: 15Vdc Latching
8: 12Vdc Latching

Actuator Type
O: No Indicator Contacts
C: Indicator Contacts
D: Self Cutoff Only
E: Indicators and Self Cutoff

Options
T: TTL Drivers with Diodes
R: Positive + Common

For other options contact Factory