

Commercial CCRT-53

Internal Terminations

DC-26.5GHz SPDT Switch

Failsafe

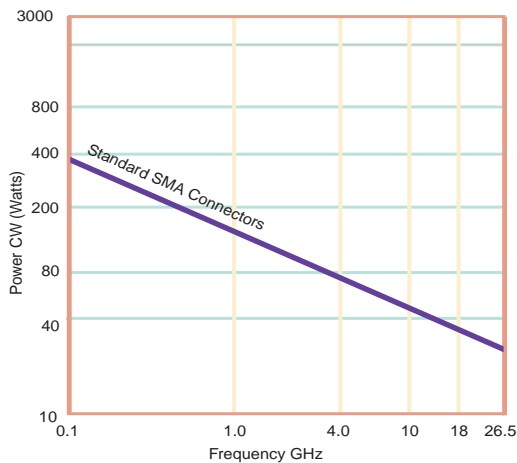
The CCRT-53 Switch is an internally terminated, broadband, SPDT, electromechanical coaxial switch designed to switch a microwave signal from a common input to either of two outputs. The characteristic impedance is 50 Ohms. Internal terminations provide an impedance match for the unselected port. The switches are small with the minimum spacing that is compatible with SMA connectors.

The CCRT-53 is available with either a failsafe or latching actuator.

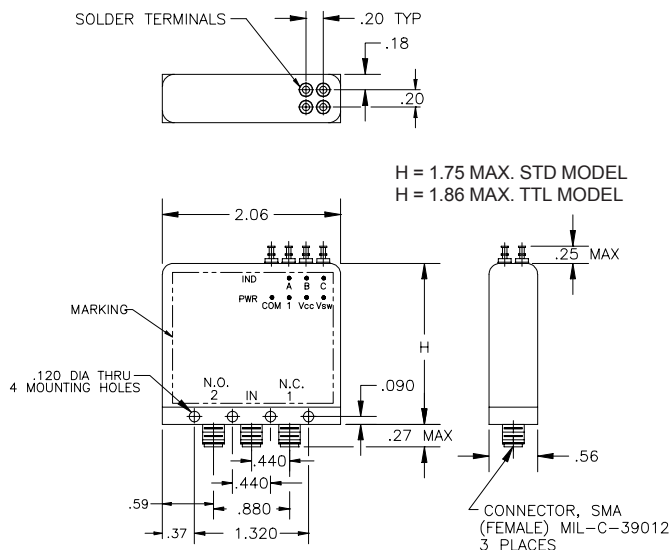
Specifications

RF Contacts:	Break before make						
Actuator	Voltage (VDC) 20°C						
	<table border="1"> <tr> <td>12</td> <td>15</td> <td>28</td> </tr> <tr> <td>420</td> <td>350</td> <td>200</td> </tr> </table>	12	15	28	420	350	200
12	15	28					
420	350	200					
	Current (mA)						
Switching Time:	20 msec max						
Terminations:	50 Ohm 2 Watts CW max						
Connectors:	SMA (f)						
Weight:	2.65 oz. max						
Temperature Range:	-25°C to +65°C (Operating)						
Shock:	MIL-STD-202 Method 213, Condition D (500G Non Operating)						
Vibration:	MIL-STD-202 Method 214, Condition D (10G RMS Non Operating)						
Seal:	Immersion Seal, Moisture Seal Available						
Warranty:	2 years or 5 million cycles						
MTBF:	7.3 Million Hours (MIL-HDBK-217F Fixed, 25°C, <1 Cycle per hour)						

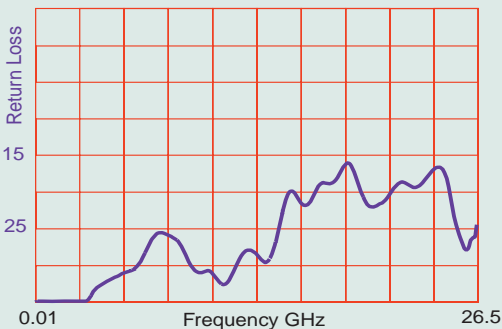
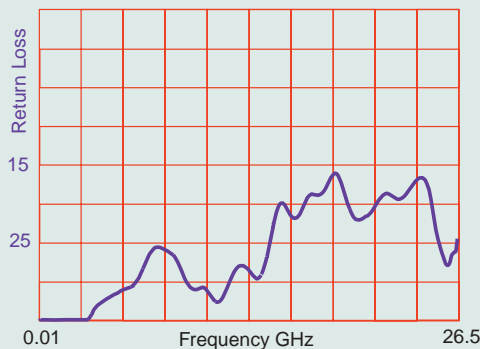
RF Power Handling (Non-terminated, Carry only condition)



Specifications	DC-6 GHz	6-12 GHz	12-18 GHz	18-26.5GHz
VSWR (max)	1.25:1	1.40:1	1.50:1	1.80:1
Insertion Loss (min)	0.20 dB	0.40 dB	0.50 dB	0.7 dB
Isolation (max)	70.0 dB	60.0 dB	60.0 dB	50.0 dB



Typical RF Performance



Specifications subject to change without notice.

www.teledynereleys.com

email: teledyne_relays@teledyne.com

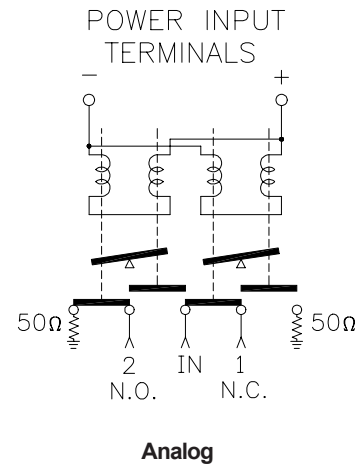
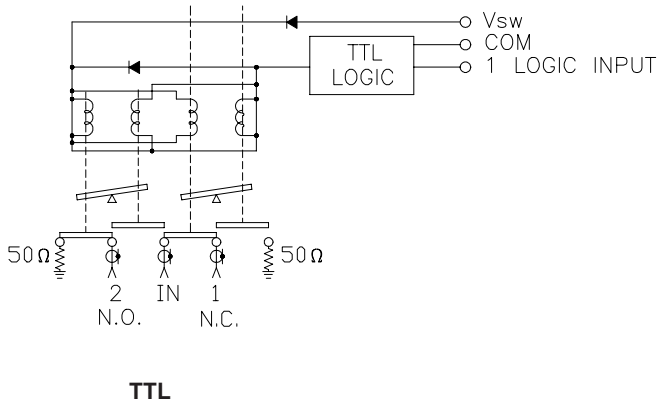
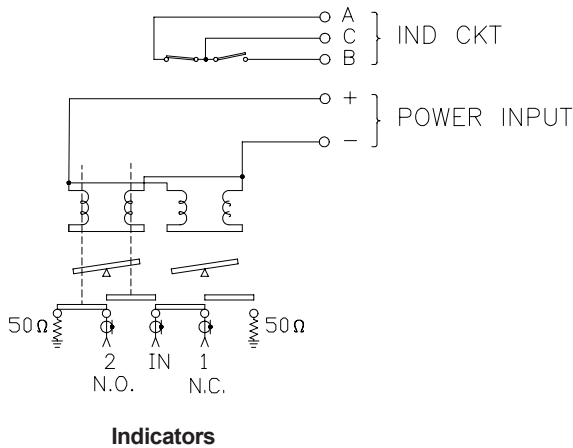
12525 Daphne Avenue, Hawthorne, CA 90250 • Tel: (800) 284-7007 • Fax: (323) 779-9161

Commercial CCRT-53

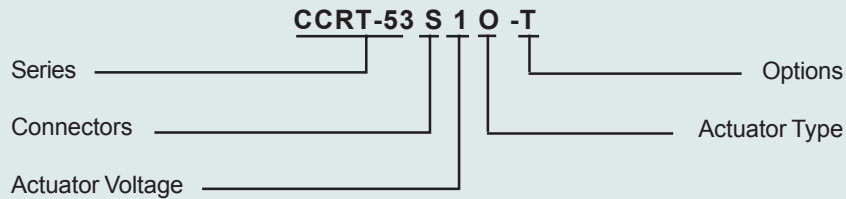
Internal Terminations

DC-26.5GHz SPDT Switch

Failsafe



Part Numbering System for CCRT-53 (Failsafe)



Connector
S: SMA Female

Actuator Voltage
1: 28Vdc Failsafe
2: 15Vdc Failsafe
3: 12Vdc Failsafe

Actuator Type
O: No Indicator Contacts
C: Indicator Contacts

Options
T: TTL Drivers with Diodes
R: Positive + Common

For other options contact Factory