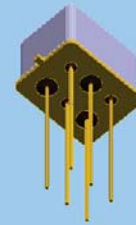


HIGH REPEATABILITY
SPDT, BROADBAND 12 GHz, 20 Gbps
MAGNETIC-LATCHING RF RELAY



SERIES	RELAY TYPE
RF121A	RF Magnetic-Latching, SPDT, Common Coil Negative, Ungrounded Contacts, Through-Hole Relay
RF121AR	RF Magnetic-Latching, SPDT, Common Coil Positive, Ungrounded Contacts Through-Hole Relay

DESCRIPTION

The ultraminiature Series RF121A/RF121AR is built on Teledyne Relays' heritage of miniature RF relays, and is designed to provide a compact electromechanical switching solution with broadband RF performance from DC to 12GHz in a leaded, hand solderable package. The RF121A/RF121AR relay incorporates a precision 50Ω transmission line in the contact system which provides for optimum RF transmission characteristics.

The RF121A/RF121AR is designed for use in switchable RF attenuators, RF switch matrices, high frequency spread spectrum radios, ATE, and other applications that require dependable high frequency signal fidelity and performance.

The magnetic-latching RF121A/RF121AR is suitable for applications where power budget is restricted. The relays can be operated with a short duration pulse. After the contacts have transferred, no external holding power is required.

The RF121A/RF121AR features:

- High Repeatability
- Wide Bandwidth Performance
- Higher Isolation Between Each Signal Path
- Metal Enclosure for EMI Shielding
- High Isolation Between Control and Signal Paths
- High Resistance to ESD

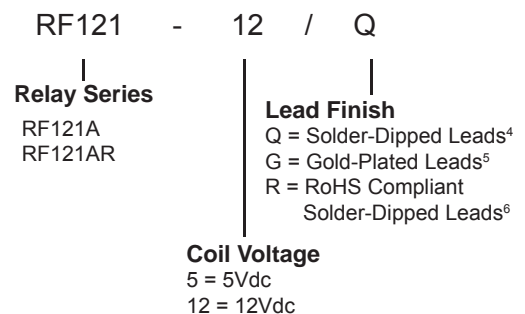
The unique construction features and manufacturing techniques provide excellent robustness for environmental extremes and overall reliability:

- Minimum mass components and welded construction provide maximum resistance to shock and vibration
- Advanced cleaning techniques provide maximum assurance of internal cleanliness
- Gold-plated precious metal alloy contacts ensure reliable switching
- Hermetic Seal
- RoHS Compliant

ENVIRONMENTAL AND PHYSICAL SPECIFICATIONS

Temperature (Ambient)	Storage	-55°C to +125°C
	Operating	-55°C to +85°C
Vibration (General Note 3)		10 g's 10 to 3,000 Hz
Shock (General Note 3)		30 g's, 6ms half sine
Enclosure		Hermetically sealed

Teledyne Part Numbering System for RF121/RF121R



Series RF121A/RF121AR

SPDT Magnetic-Latching
DC-12GHz, 20Gbps RF Relay



**TELEDYNE
RELAYS**

Everywhereyoulook™

SERIES RF121A/RF121AR GENERAL ELECTRICAL SPECIFICATIONS (@ 25°C)

Contact Arrangement	1 Form C (SPDT)
Rated Duty	Continuous
Contact Load Rating	Resistive: .25A @ 28Vdc
Contact Life Rating	3,000,000 cycles typical at low level
Coil Operating Power	RF121A-5/RF121AR-5: 410mW typical @ nominal rated voltage RF121A-12/RF121AR-12: 290mW typical @ nominal rated voltage
Switching Time (including bounce time)	7.0 msec. max. (2ms Operate time, 5ms contact bounce time)
Minimum Operate Pulse	6.0 msec width at rated voltage
Insulation Resistance	1,000MΩ min. between mutually isolated terminals
Dielectric Strength	350 Vrms (60Hz) @ Atmospheric Pressure
Propagation Delay	54-60 ps (typical)

DETAILED ELECTRICAL SPECIFICATIONS (@25°C)

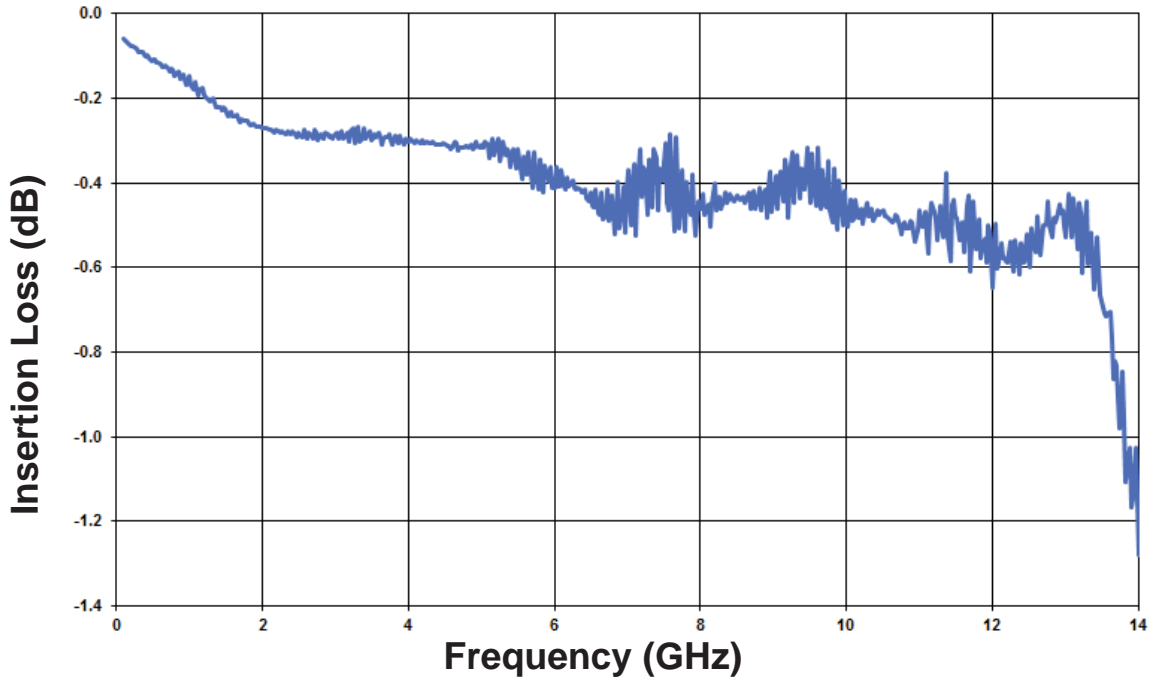
BASE PART NUMBERS	RF121-5/RF121R-5	RF121-12/RF121R-12
Coil Voltage, Nominal (Vdc)	5.0	12.0
Coil Resistance (Ohms ±20%, 25°C)	61	500
Pick-up Voltage, Max (Vdc) (General Note 7)	4.3	10.4

GENERAL NOTES

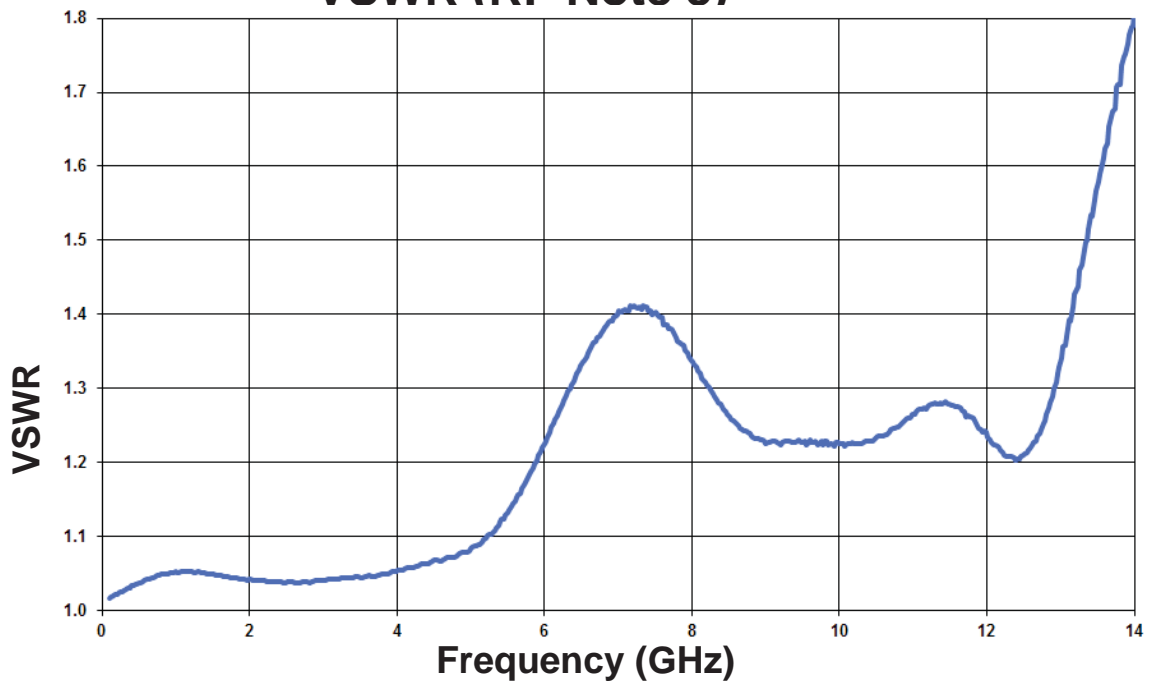
1. Characteristics shown as "typical" are based on available data and are best estimates. No ongoing verification tests are performed.
2. Unless otherwise specified, parameters are initial values.
3. Relay contacts will exhibit no chatter in excess of 10 µsec or transfer in excess of 1 µsec.
4. Parts ordered with Solder-Coated leads will have Sn60/Pb40 solder.
5. Parts ordered with Gold-Plated leads will have a typical plating thickness of 25-40 µin.
6. Parts ordered with RoHS Solder-Coated leads will have Sn99.3/Cu0.7 solder.
7. Using an operate voltage less than the specified minimum may result in unreliable operation.
8. Relay temperature during soldering shall not exceed 250°C, and reflow temperature shall not exceed 250°C, 3 passes, 1 minute each.

SERIES RF121A/RF121AR
TYPICAL RF CHARACTERISTICS (See RF Notes)

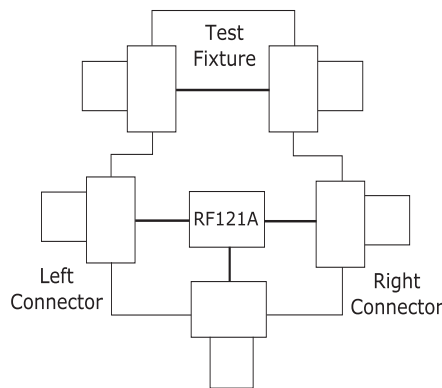
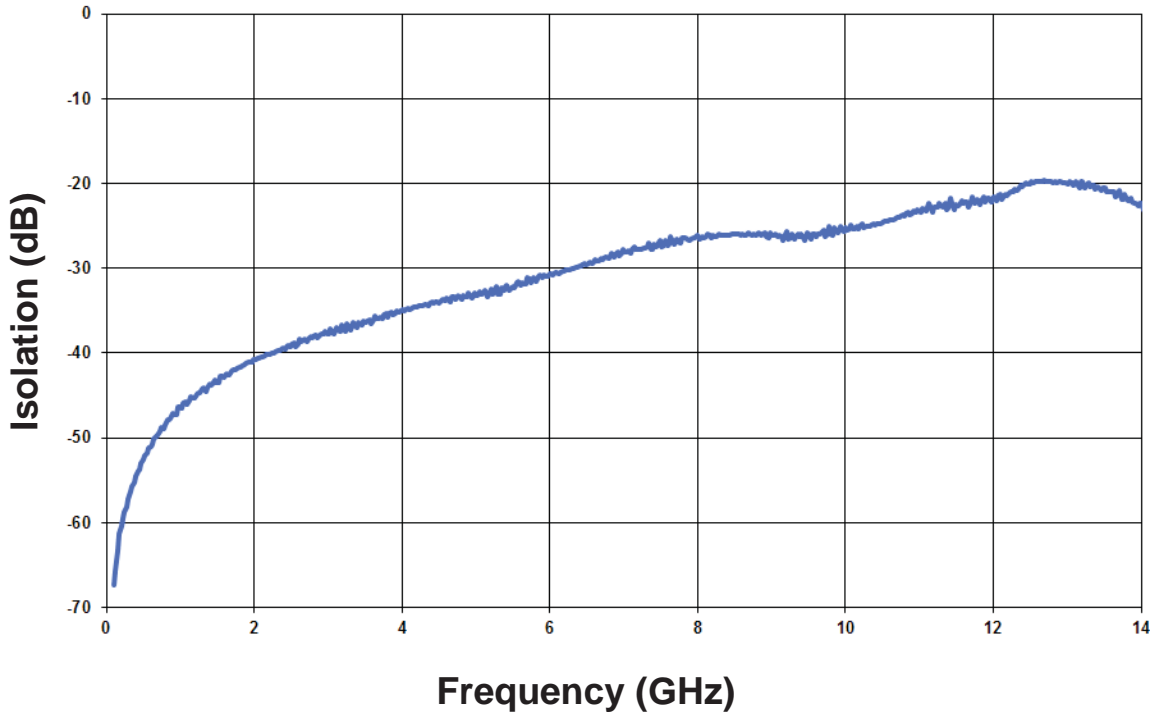
Insertion Loss (RF Note 3)



VSWR (RF Note 3)



Isolation (RF Note 4)

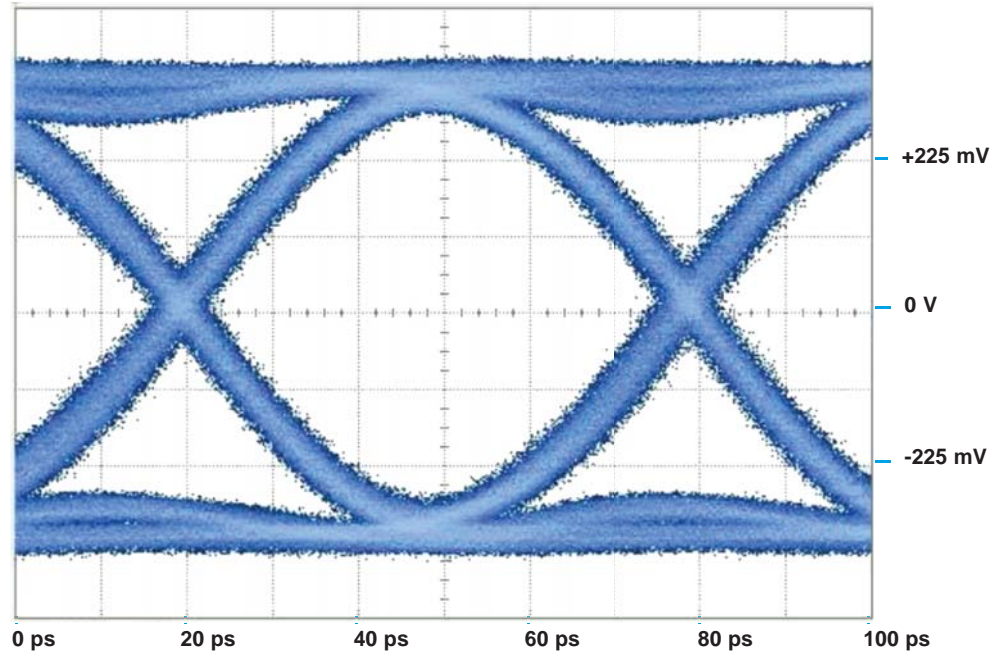


RF121A/RF121AR Test Evaluation Board

RF NOTES

- Test conditions:
 - Fixture: .031" copper clad, gold plated, reinforced Rogers Corporation 4350B High Frequency Laminate with 26.5 GHz SMA connectors. Header body is soldered to PCB ground plane.
 - Room ambient temperature.
 - Unused Terminals were terminated with 50-ohm load.
 - Contact signal level: -10 dBm.
 - No. of test samples: 2.
- Data presented herein represents typical characteristics and is not intended for use as specification limits.
- Data is the average from readings taken on all closed contacts.
- Data is the average from readings taken on all open contacts.
- Test fixture effect de-embedded from frequency response data.

SERIES RF121A/RF121AR
TYPICAL SIGNAL INTEGRITY CHARACTERISTICS



Bit Rate	Eye Height	Eye Width	Jitter _{P-P}
20 Gbps	360 mV	40.3 ps	6.93 ps

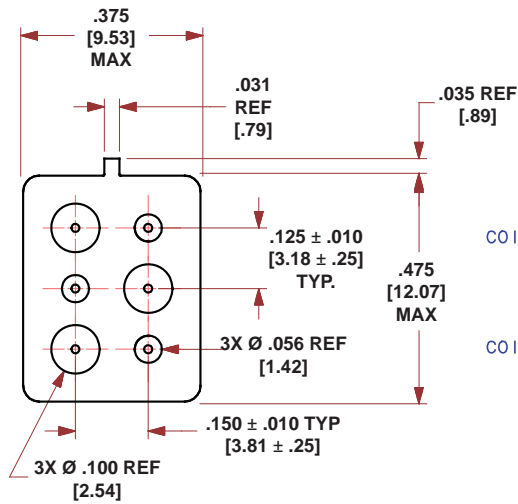
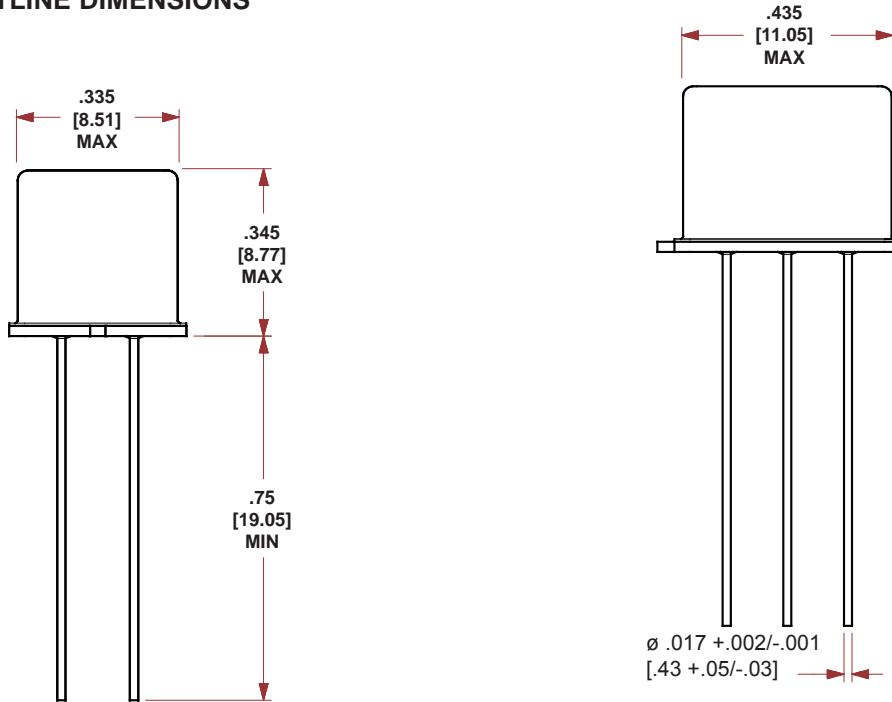
PATTERN GENERATOR SETTINGS

- 20 Gbps Random Pulse Pattern Generator
- $2^{31} - 1$ PRBS signal pattern
- PRBS output of 500 mV_{P-P} (nominal)
- RF PCB effect (negligible) not removed from measurement
- Data shown is typical of both contacts

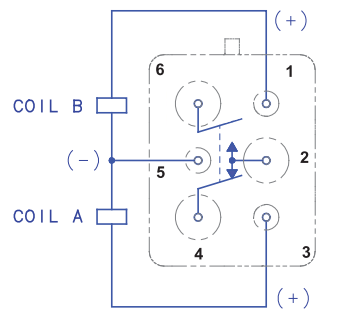
Series RF121A/RF121AR
 SPDT Magnetic-Latching
 DC-12GHz, 20Gbps RF Relay



**SERIES RF121A/RF121AR
 OUTLINE DIMENSIONS**

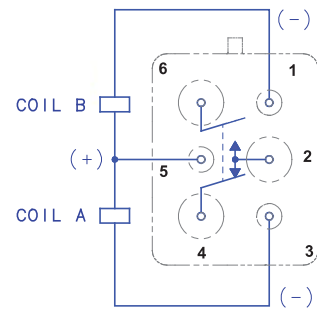


**RF121A
 Schematic - Terminal View**



CONTACTS SHOWN IN POSITION RESULTING WHEN COIL A LAST ENERGIZED

**RF121AR
 Schematic - Terminal View**



CONTACTS SHOWN IN POSITION RESULTING WHEN COIL A LAST ENERGIZED

For applications where transistors are used to pull-down the magnetic coils to ground (see image on right) the RF121AR provides a common positive terminal and two independent negative terminals, allowing each coil to be independently sinked to ground.

