



LoopBack Relay

SGLB363 Series



*With Built-in AC Bypass Capacitors /
DC LoopBack Relay*

SERIES DESIGNATION	RELAY TYPE
SGLB363	LoopBack Relay, Sensitive Coil, Surface Mount Ground Shield and J-Leads with AC Bypass Capacitors

DESCRIPTION

The LoopBack Series relay combines two DPDT electromechanical relays in one package that includes an internal bypass path for Automated Test Equipment (ATE) applications. The LoopBack combines the technology of two Teledyne SGRF303 Series relays and eliminates the need for external PCB traces in loop back test applications. This innovation results in superior signal integrity and RF performance while taking minimal board space. The SGLB363 Series is designed for digital signaling application and provides excellent signal integrity up to 16 Gbps data rates.

The internal in-line capacitors allow you to eliminate the footprints for external components, while performing AC bypass functions internal to the relay. The capacitors used feature excellent signal integrity as well as low loss high frequency performance.

A typical loop-back load board application uses the Device Under Test (DUT) to test itself. In this method, the transmitter from the DUT is connected through a loop back path to the receiver of the DUT. The double pole design of the LoopBack relay is perfectly suited

for differential signaling, allowing the relay to provide transmit and receive signals and their inversions to the DUT or through the bypass path.

The internal structure of the LoopBack relay reduces the number of discontinuities and shortens the signal path during loop back testing, providing lower insertion loss and higher signal integrity performance than two SRF303 Series relays. In the normally closed mode (de-energized) the LoopBack relay provides four normally closed contacts. When energized, the moving contacts are connected together across the loop back structure to provide two through paths. The normally closed contacts have similar performance to SGRF303 Series relays.

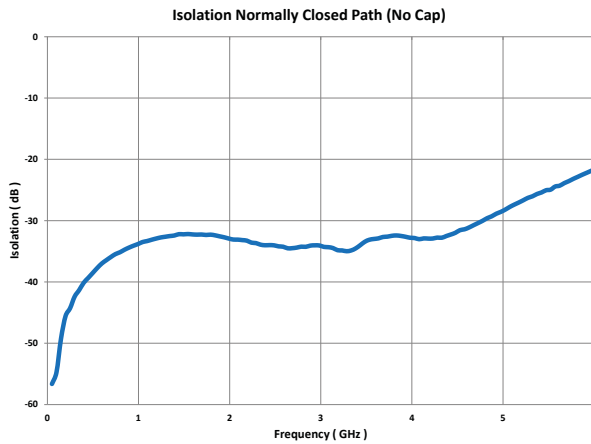
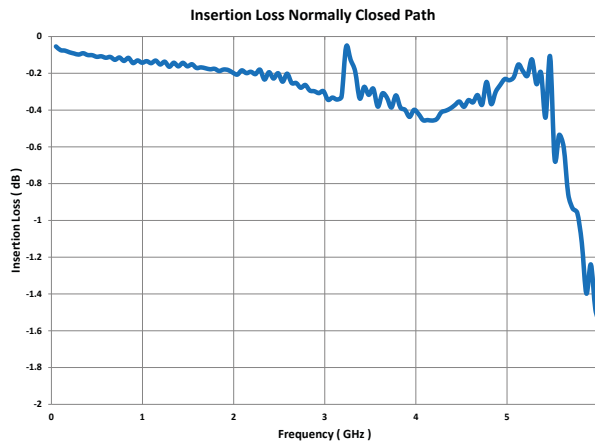
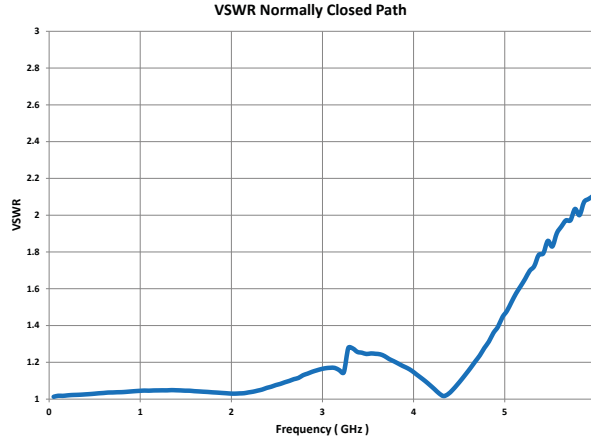
This LoopBack Relay is available with surface mount ground shield and J-lead configuration to provide improved high data rate and high frequency performance and ease of surface mount attachment.

The DC LoopBack configuration provides internally shorted paths to allow "auxiliary" full spectrum signal routing.

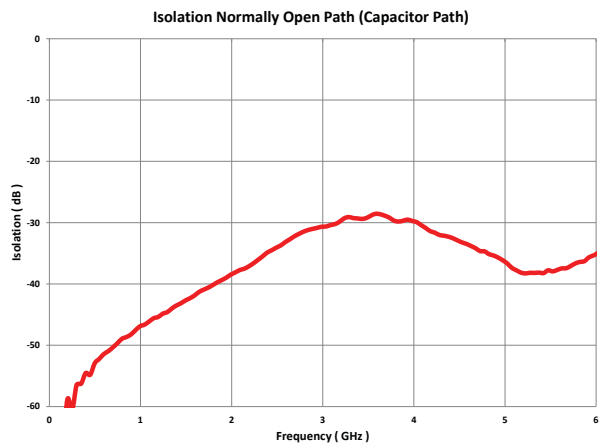
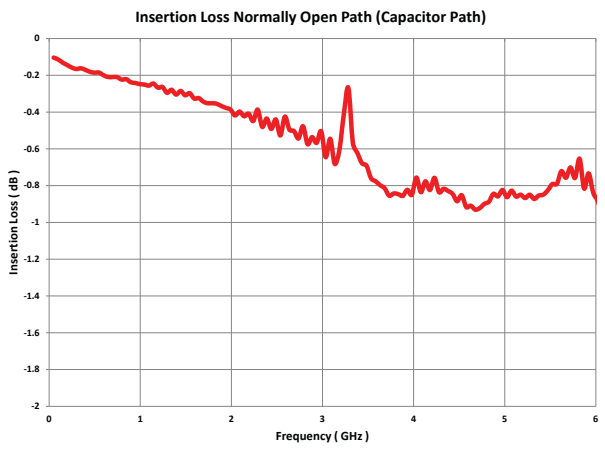
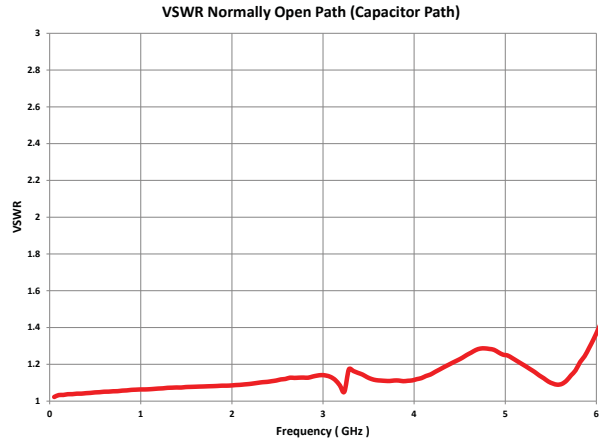
ENVIRONMENTAL AND PHYSICAL SPECIFICATIONS

Temperature (Ambient)	Storage	-65°C to +125°C	Enclosure	Hermetically sealed
	Operating	-55°C to +85°C		
Vibration (General Note 1)		10 g's to 500 Hz	Shock (General Note 1)	30 g's, 6ms half sine
Weight			0.22 oz. (6.24 g) max.	

SERIES SGLB363
TYPICAL RF Characteristics



SERIES SGLB363
TYPICAL RF Characteristics (See RF Notes on next page)



SERIES SGLB363
GENERAL ELECTRICAL SPECIFICATIONS (@ 25 °C unless otherwise noted)

Contact Arrangement	Special (See Schematic on page 5)
Rated Duty	Continuous
Contact Resistance	0.200 Ω max. initial (measured 1/8" from the header)
Contact Load Rating	Resistive: 1Amp/28Vdc Low level: 10 to 50 μA, 10 to 50 mV
Contact Life Ratings	5,000,000 cycles (typical) at low level
Operate Time	4.0 mS max.
Release Time	3.0 mS max.
Insulation Resistance	1,000 MΩ min. between mutually isolated terminals
Dielectric Strength	350 Vrms (60 Hz) @ atmospheric pressure

DETAILED ELECTRICAL SPECIFICATIONS (@25°C)

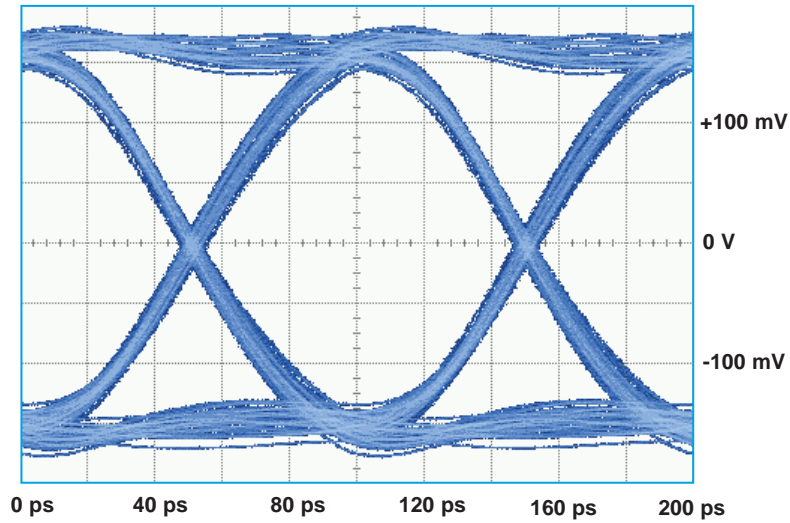
BASE PART NUMBERS	SGLB363-x-5	SGLB363-x-12
Coil Voltage, Nominal (Vdc)	5.0	12.0
Coil Resistance (Ohms ±20%)	56	400
Pick-up Voltage (Vdc max.)	3.6	9.0
Coil Operating Power (mW)	450	360

RF NOTES

- Test conditions:
 - Fixture: .031" copper clad, reinforced PTFE, RT/duroid® 6002 with SMA connectors. (RT/duroid® is a registered trademark of Rogers Corporation.)
 - Room ambient temperature.
 - Terminals not tested were terminated with 50-ohm load.
 - Contact signal level: -10 dBm.
 - No. of test samples: 4.
- Data presented herein represents typical characteristics and is not intended for use as specification limits.
- Data is per pole, except for pole-to-pole data.
- Data is the average from readings taken on all open contacts.
- Data is the average from readings taken on poles with coil energized and de-energized.
- Data is the average from readings taken on all closed contacts.
- Test fixture effect de-embedded from frequency and time response data.

SERIES SGLB363
TYPICAL Single-Ended Signal Integrity Characteristics @ 10 Gbps

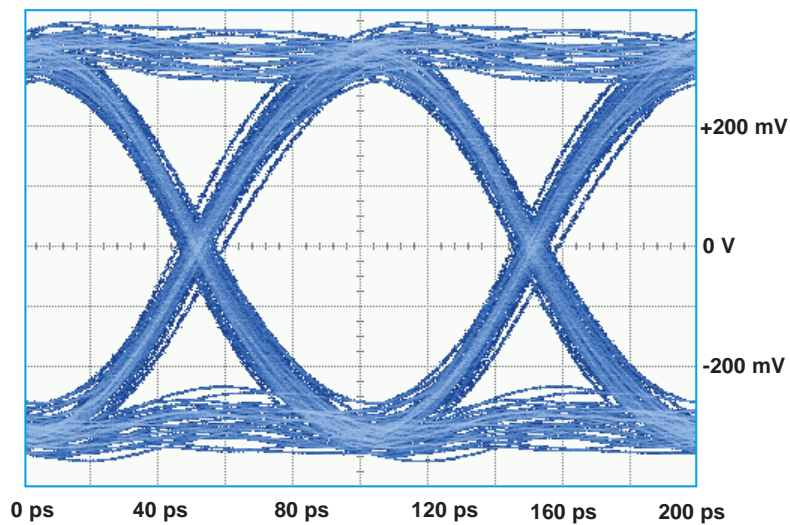
AC Bypass Path



Bit Rate	Eye Height	Eye Width	Jitter _{P,P}
10 Gbps	254.3 mV	88.64 ps	8.89 ps

SERIES SGLB363
TYPICAL Differential Signal Integrity Characteristics @ 10 Gbps

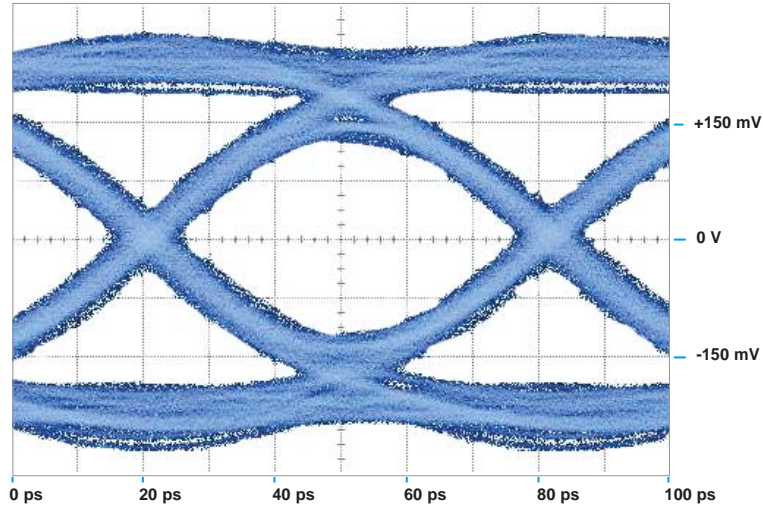
AC Bypass Path



Bit Rate	Eye Height	Eye Width	Jitter _{P,P}
10 Gbps	492.1 mV	84.29 ps	15.55 ps

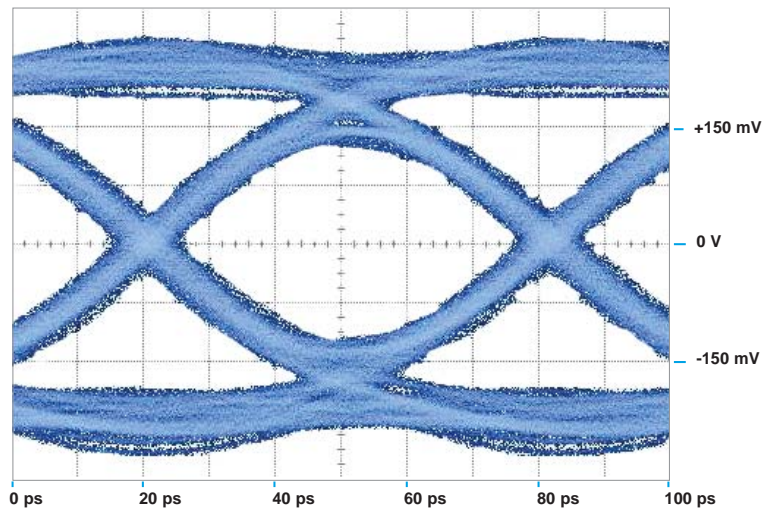
SERIES SGLB363
TYPICAL Single-Ended Signal Integrity Characteristics @ 16 Gbps

AC BYPASS PATH (Capacitor Path)



Bit Rate	Eye Height	Eye Width	Jitter _{p-p}
16 Gbps	173 mV	48.3 ps	12.67 ps

Normally Closed Path (Through Path)

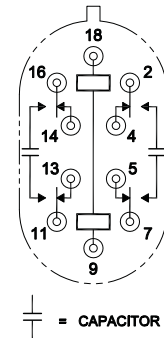
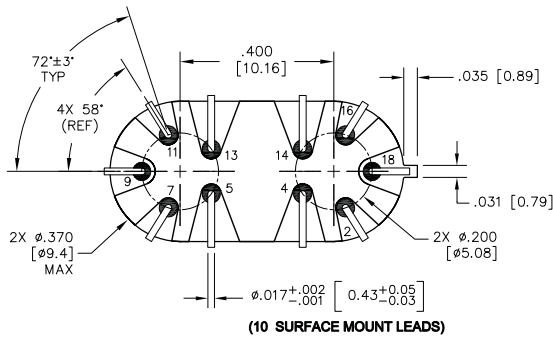
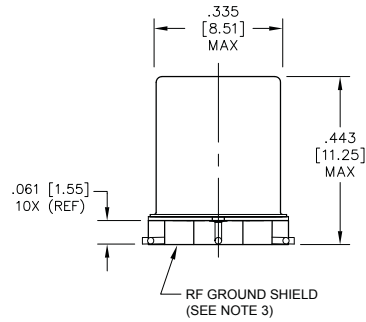
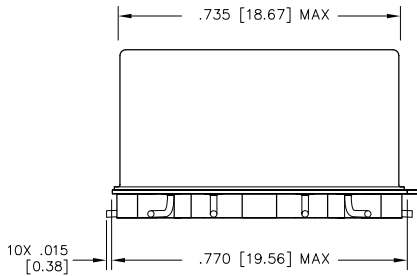


Bit Rate	Eye Height	Eye Width	Jitter _{p-p}
16 Gbps	173 mV	48.3 ps	12.67 ps

PATTERN GENERATOR SETTINGS

- 16 Gbps Random Pulse Pattern Generator
- $2^{31} - 1$ PRBS signal
- PRBS output of 500 mV_{p-p} (nominal)
- RF PCB effect (negligible) not removed from measurement
- Data shown is typical of both poles

SERIES SGLB363
OUTLINE DIMENSIONS



SCHEMATIC - TERMINAL VIEW
PIN NUMBERS ARE FOR REFERENCE ONLY. NOT MARKED ON RELAY

Teledyne Part Numbering System for LoopBack Relays

SGLB363 - 100 - 5 / R

Relay Series _____

Lead Finish*
G = Gold-Plated Leads (RoHS Compliant)
R = RoHS Compliant Solder

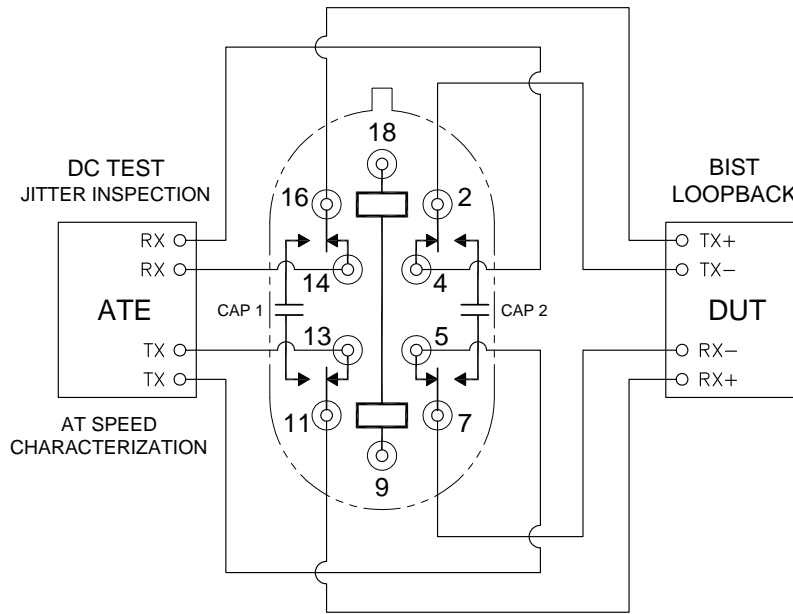
Coil Voltage
5 = 5V
12 = 12V

Capacitance
000 = No Capacitor
100 = 100nF
010 = 10nF
220 = 220nF

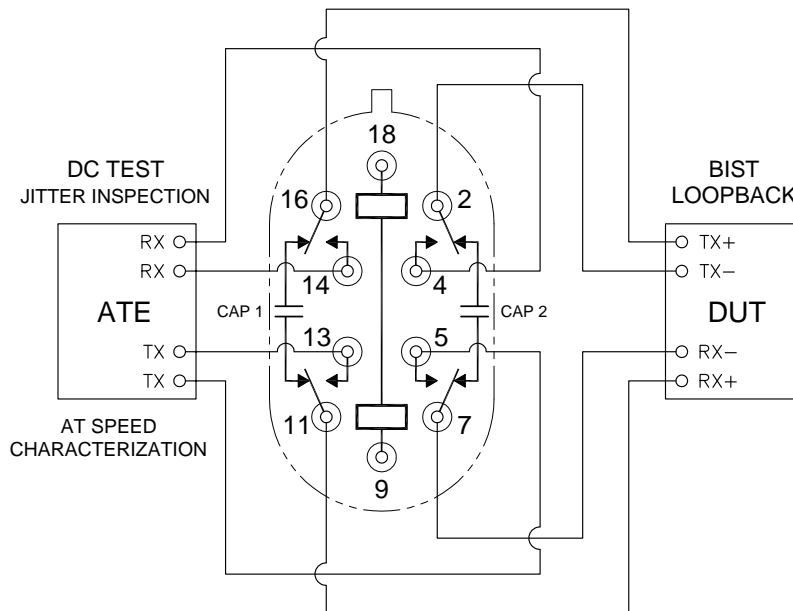
NOTES:

*Standard LoopBack Relay lead finish: Solder-Dipped Leads (Sn60/Pb40)
For RoHS Solder, add /R at end of part number. EX: SGLB363-100-5/R
RoHS Solder: (Sn99.3/Cu0.7)

SERIES SGLB363
APPLICATION NOTE (Applicable to 10, 100, 220 nF Capacitor Models)



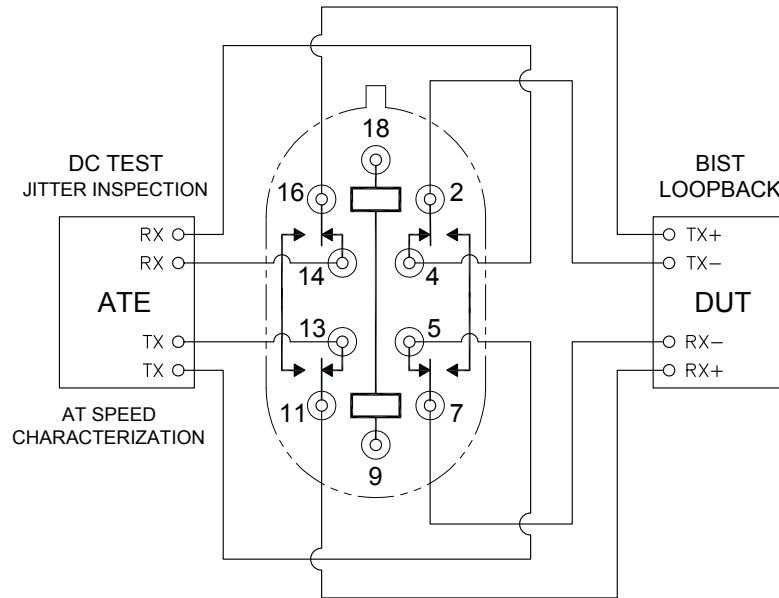
(Contacts shown in *De-Energized* position)



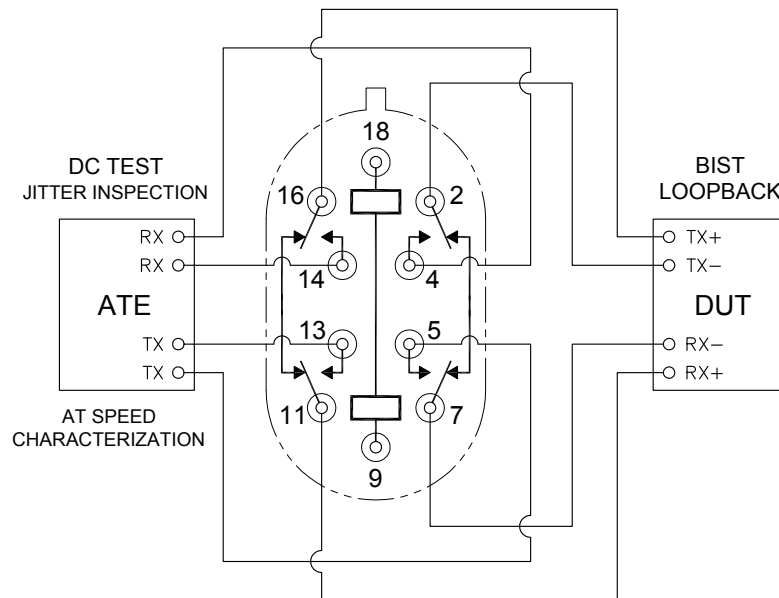
(Contacts shown in *Energized* position)

NOTES:
Coil Pins 9&18 are not polarity sensitive.
Pin assignment shown as terminal view.

SERIES SGLB363
APPLICATION NOTE (Applicable to No Capacitor Model)



(Contacts shown in *De-Energized* position)



(Contacts shown in *Energized* position)

NOTES:
Coil Pins 9&18 are not polarity sensitive.
Pin assignment shown as terminal view.